



Dielectric fitting

DS-K-DIELECTRIC_nov-2016

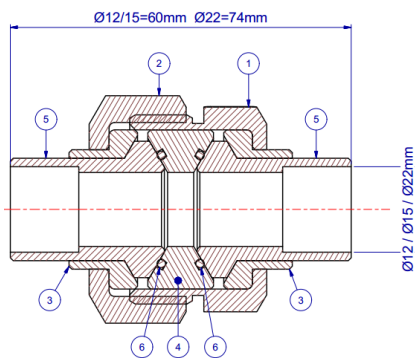
Description

The "PD" dielectric fitting has been developed especially for medical gas pipeline systems. It creates a galvanic interruption in pipeline systems and can be installed in pipeline systems that lead to rooms with K3 classification according to NEN1010:2007.

The fittings are assembled (hand-tight tightened) when delivered and ready for installation. It is possible to braze them. They are free of oil and grease and suitable for medical gases.

Technical specifications

The insulation effect of the coupling is realized by the polyoxymethylene (POM) rings that are placed between the brass and bronze parts. The temperature around the POM rings must not exceed 60°C whilst installing the fitting.



Materials

1	Threaded nipple	: brass	Temperature	: -20°C .. 60°C
2	Gland	: brass	Max. working pressure	: 15 bar
3	Insulation ring	: POM	Min. resistance	: 10 MΩ at 10Volt
4	Middle ring	: POM	Connection	: brazing nipples
5	Brazing nipple	: bronze or copper	Cleaning	: according NEN-EN-ISO 15001:2010
6	O-ring	: EPDM	Package	: individually sealed in plastic

Article no.	Connection	Material brazing nipple	Outside length	Wrench width
PNN223	12 mm	bronze	60 mm	36 mm
PNN224	15 mm	bronze	60 mm	36 mm
PNN225	22 mm	bronze	74 mm	46 mm

Spare parts	Connection	Description
PNN221	12 / 15mm	Middle ring / O-ring set 12 / 15mm
PNN222	22mm	Middle ring / O-ring set 22mm

Maintenance

Basically the fittings do not need maintenance. When contained, the O-rings will last for approximately 6 - 8 years. In the unlikely event a fitting does leak, replacing the O-rings will solve the problem. Make sure to use the correct spare part kit. By both internal and external contamination the insulation capacity can deteriorate. Considering the application, internal contamination is unlikely. External contamination can be removed without disassembling the fitting. When disassembled, the O-rings need to be replaced, they cannot be reused.

